

M E L A N N I E

B E Y N O N





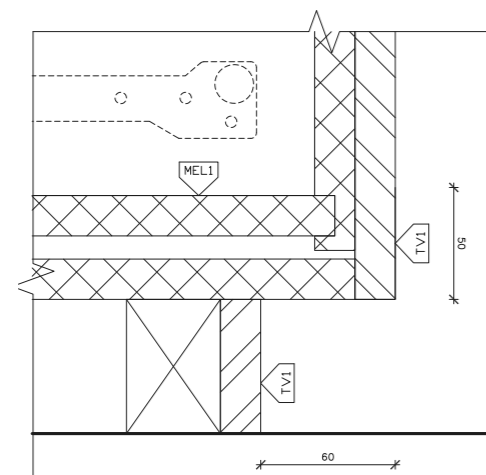
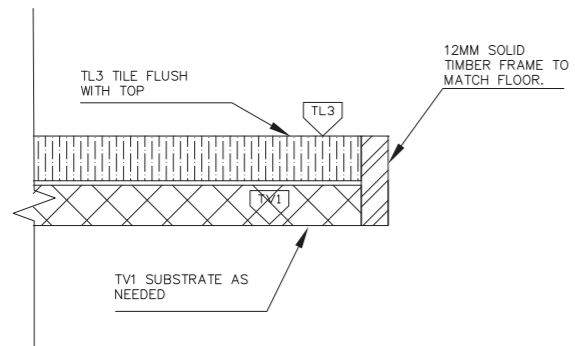
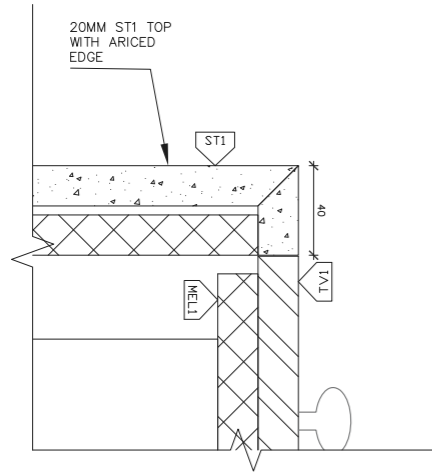
Elsternwick House
Contractor: SG Building Group
Photographer: Tom Blachford

















Northcote Residence
Photographer: Tom Blachford

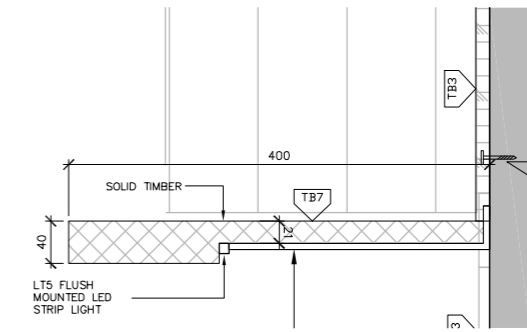




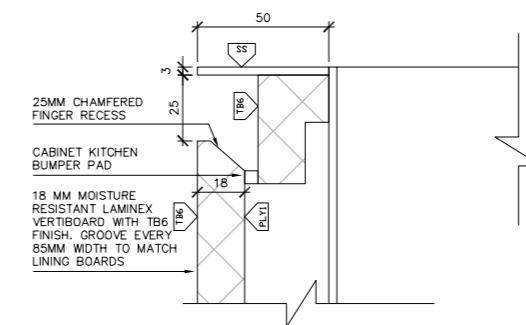




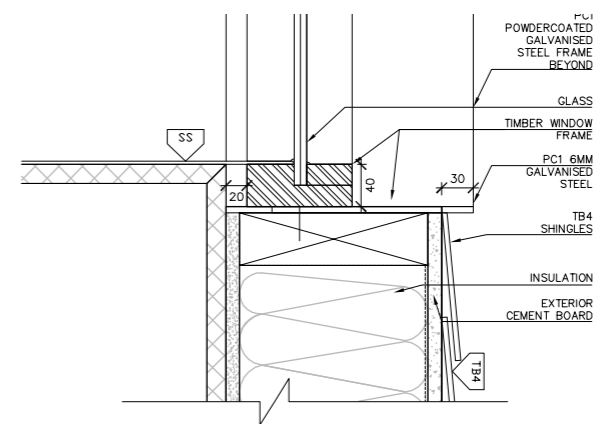




SHELVE DETAIL I 1:5



COUNTER DETAIL H 1:2



COUNTER/WINDOW DETAIL J 1:5



Toorak House
Contractor: RK Construction
Photographer: Sonia Mangiapane/Tom Blachford











Prahran House 1
Contractor: RK Construction
Photographer: Sonia Mangiapane/Tom Blachford



Princes Hill Residence
Contractor: Tykon
Photographer: Tom Blachford







South Yarra House
Contractor: Ferne Built
Photographer: Tom Blachford

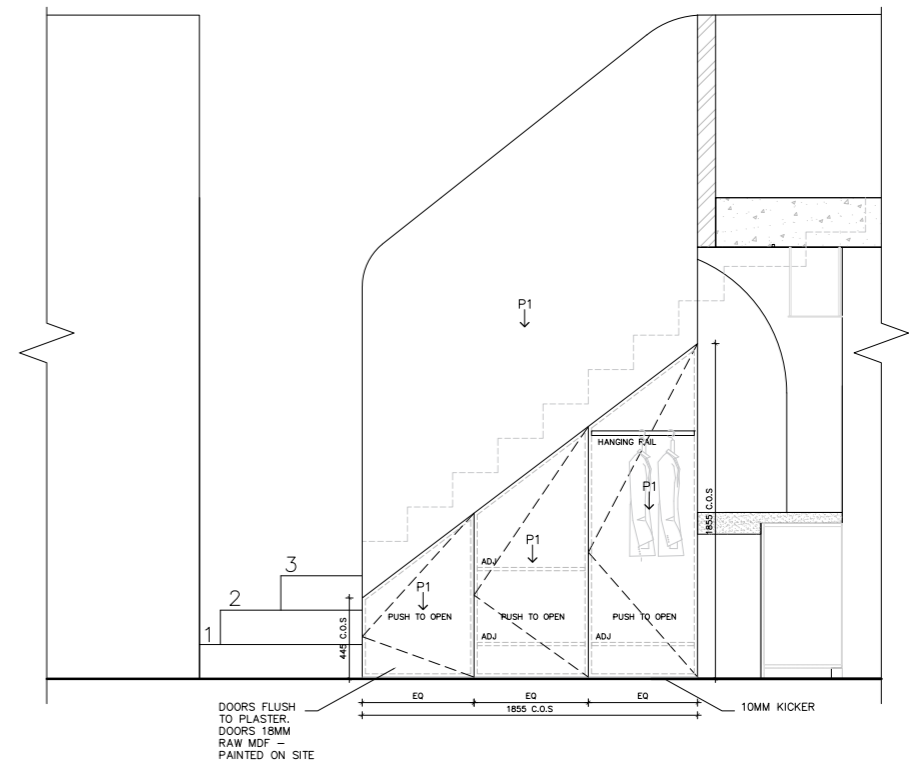




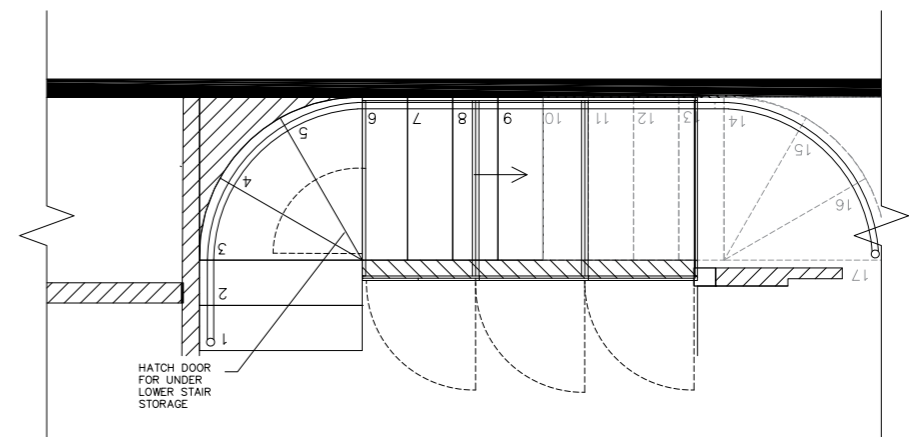


East Melbourne Penthouse
Contractor: SG Building Group
Photographer: Tom Blachford





STAIR ELEVATION A 1:20



STAIR FLOOR PLAN 1:20



Melbourne Shoulder & Upper Limb
Contractor: Amity
Photographer: Tom Blachford





Mirosuna
Contractor: Amity
Photographer: Tom Blachford





Willow Urban Retreat
Contractor: Newpol Construction
Photographer: Sharyn Cairns



Amaru
Contractor: Amity
Photographer: Tom Blachford



ReCoil by Brodie Neill



Zero per Stool by Hattern



Foresso

M E L A N I E

@melaniebeynon_architecture

melaniebeynonarchitecture.com.au

B E Y N O N